

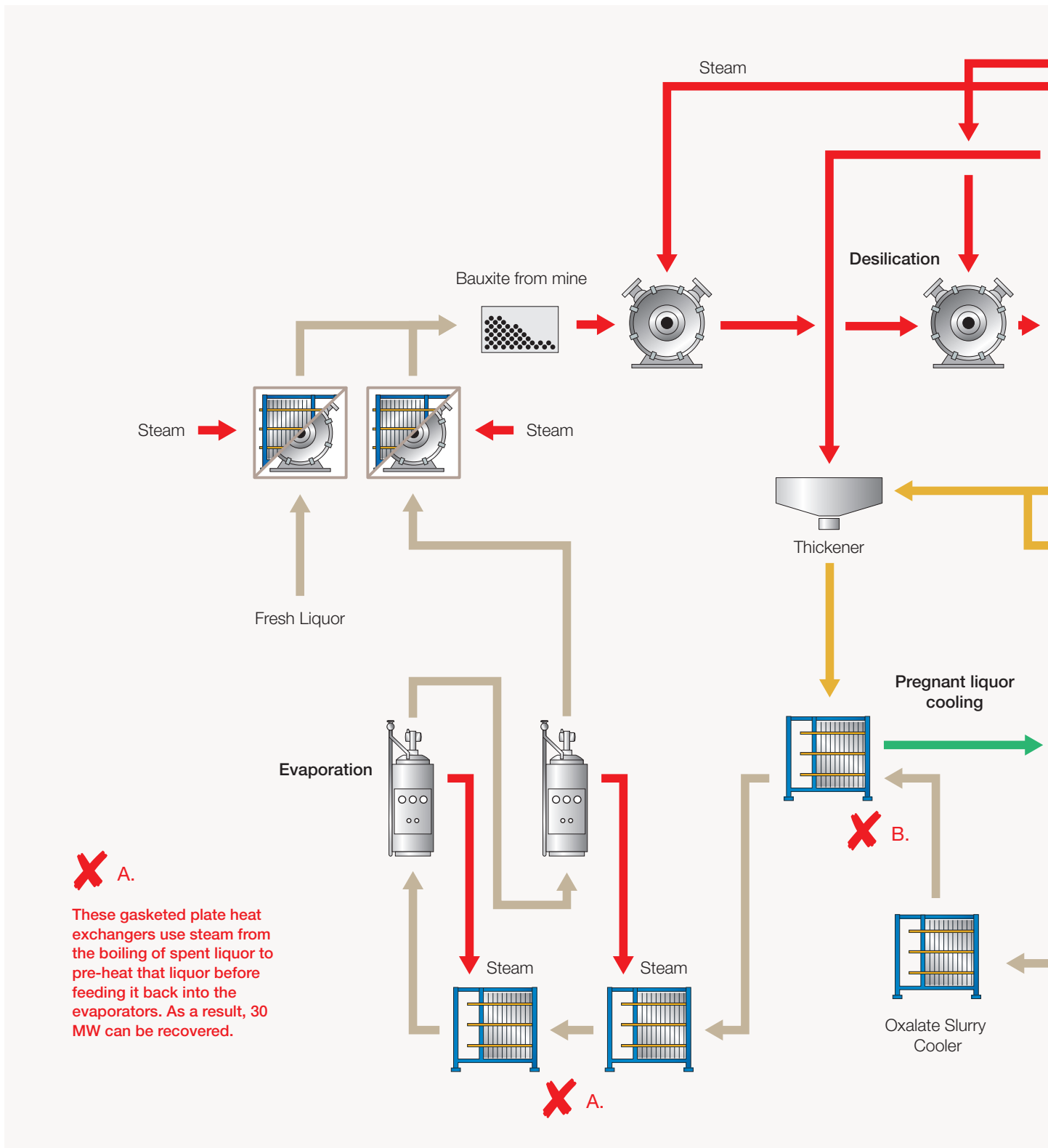
Hidden treasures in alumina processing



And how compact heat exchangers
from Alfa Laval can help uncover them



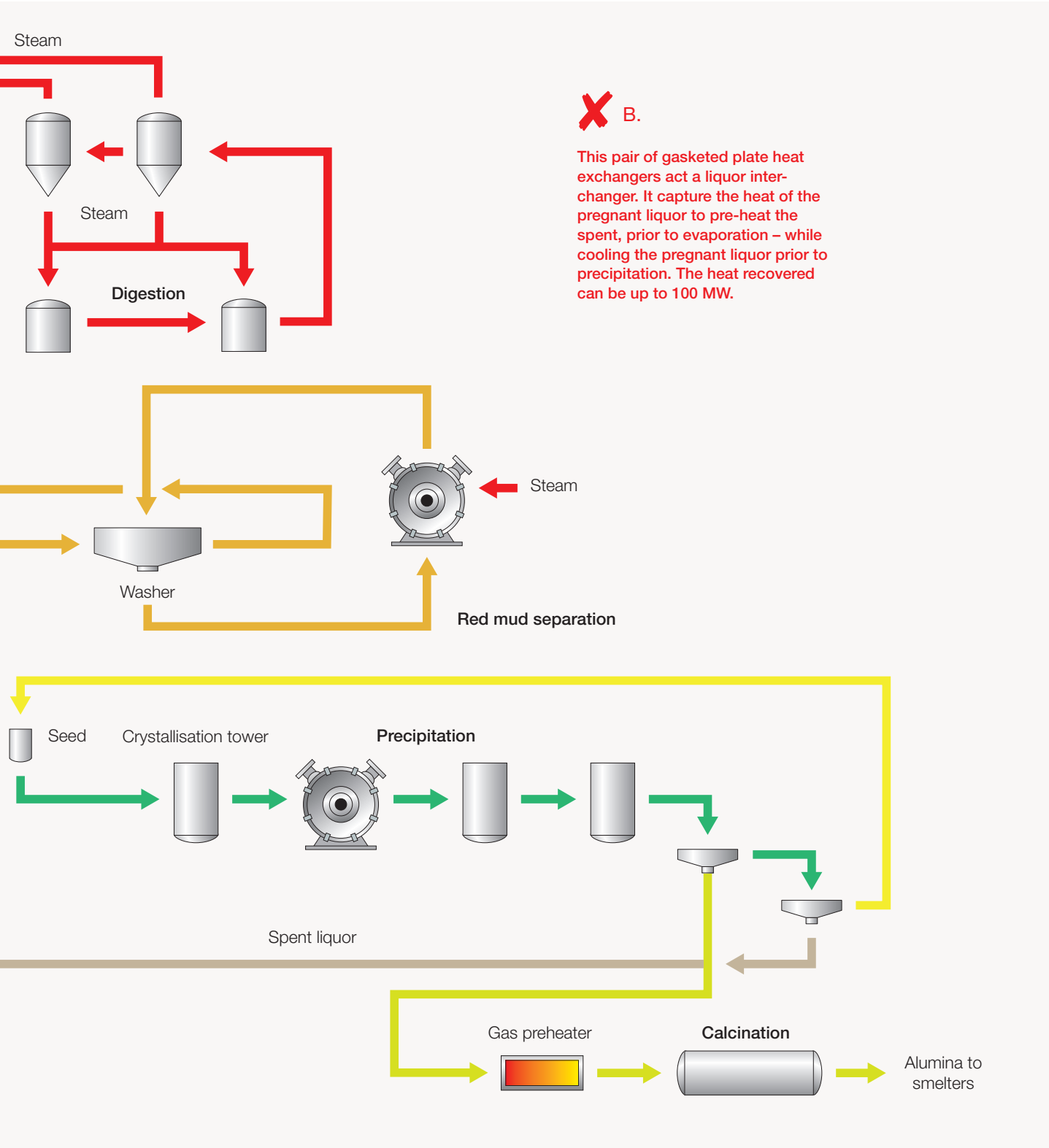
Recovering heat from alumina production



In alumina production, digestion, evaporation, liquor heating and other energy-intensive extraction processes can be tapped for vast amounts of heat. Heat that can be fed right back into the flow, with an unparalleled yield.

Heat exchangers from Alfa Laval – whether gasketed, welded or spiral – are the most efficient technology for heat transfer known to man. Their close temperature approach, high internal

on



turbulence and large heat-transfer areas combine to squeeze up to 30% more energy out of every heat flow than conventional shell-and-tube units.

By replacing those costly and bulky units with Alfa Laval's heat exchangers, aluminum processing plants around the world are discovering (and saving) many megawatts of hidden energy each year.

Alfa Laval in brief

Alfa Laval is a leading global provider of specialized products and engineered solutions.

Our equipment, systems and services are dedicated to helping customers to optimize the performance of their processes. Time and time again.

We help our customers to heat, cool, separate and transport products such as oil, water, chemicals, beverages, foodstuffs, starch and pharmaceuticals.

Our worldwide organization works closely with customers in almost 100 countries to help them stay ahead.

How to contact Alfa Laval

Up-to-date Alfa Laval contact details for all countries are always available on our website at www.alfalaval.com